

Rooftop Unit



I-RT Series
High Performance & Reliable



SHOPPING



SERVICES



HOSPITALS



INDUSTRIES



HOSPITALS



TELECOMMUNICATIONS



INDUSTRIES



TRANSPORTATION

Advantages of Condensing Unit

- ⑩ All condenser fan motors have inherent protection with an automatic reset.
- ⑩ The scroll compressor is internally protected against power surges/over current and excessive temperature.
- ⑩ Units are protected by both high and low pressure controls to ensure system running at normal working pressure.
- ⑩ Equipped with single-phase protection (Phase Failure).
- ⑩ With a IRT system, maintenance and service of each unit can be performed without shutdown of all units.

Evaporator Unit

The Evaporator Units are available in ten nominal capacities (applications). It is possible to install on the floor or suspend from the ceiling and can be configured to fit almost any space and meet almost any duct requirement providing clean air to conditioned space low noise centrifugal fan and insulated gauge sheet metal ensures low-noise operation.

| Models | | IRT-40 | IRT-50 | IRT- 60 | IRT- 75 | IRT - 100 | IRT - 125 | IRT - 150 | IRT - 200 | IRT - 250 | IRT - 300 | |
|--------------------------|-----------------|-----------------------------|--------|---------|---------|-----------|-----------|-----------|-----------|-----------|-----------|-------|
| Nominal Cooling Capacity | Btu/h | 42,000 | 51,225 | 59,800 | 75,050 | 104,000 | 125,000 | 154,000 | 210,000 | 242,000 | 310,000 | |
| | Kw | 12.3 | 15.0 | 17.5 | 22.0 | 30.5 | 36.6 | 45.1 | 61.5 | 70.9 | 90.8 | |
| Cabinet | | Galvanized Steel Plates | | | | | | | | | | |
| Dimensions | Length | Mm | | 1,010 | 1,010 | 1,110 | 1,200 | 1,300 | 1,740 | 1,740 | 1,740 | 1,900 |
| | Width | Mm | | 1,380 | 1,480 | 1,600 | 1,600 | 1,700 | 1,900 | 1,980 | 2,420 | 2,420 |
| | Height | Mm | | 770 | 820 | 980 | 1,080 | 1,290 | 1,307 | 1,480 | 1,565 | 1,565 |
| Weight | Kg | 120 | 130 | 150 | 235 | 260 | 280 | 340 | 420 | 550 | 650 | |
| Compressor | | Scroll | | | | | | | | | | |
| Compressor Power | Watt | 3,620 | 4,430 | 5,260 | 5,260 | 8,966 | 10,811 | 13,634 | 17,932 | 21,622 | 27,268 | |
| Compressor Voltage | | 380-3-50 Hz | | | | | | | | | | |
| Quantity | | 1 | | | | | 2 | | | | | |
| Refrigerant | | R407C | | | | | | | | | | |
| Condensser | | Multi-Pas Cross-Finned Tube | | | | | | | | | | |
| Fan | | Propeller Fan | | | | | | | | | | |
| Motor Fan Condensser | Watt | 414 | | 780 | | 800 | | 1,600 | | 2,400 | | |
| Diameter Tube | mm | 5/16" | | | | 3/8" | | | | | | |
| Face Area | Ft ² | 12 | | 12.5 | 16.1 | 18.6 | 24.4 | 23.6 | 28.1 | 38.8 | 38.8 | |
| Quantity of Fan | | 1 | | | | | 2 | | 3 | | | |
| Evaporator | | Multi-Pas Cross-Finned Tube | | | | | | | | | | |
| Face Area | Ft ² | 3.5 | | 4.06 | 5.2 | 7.1 | 9.1 | 11.7 | 12.7 | 16 | 17.6 | |
| Nominal Air Flow | Cfm | 1,200 | 1,600 | 2,000 | 2,500 | 3,200 | 3,800 | 4,600 | 6,150 | 4,600 | 9,600 | |
| Motor | Hp | 0.6 | | 1.5 | 2 | 3 | | 4 | 5 | 7.5 | | |
| Diameter Tube | mm | 9.52 / 12.7 | | | | | | | | | | |

Note :

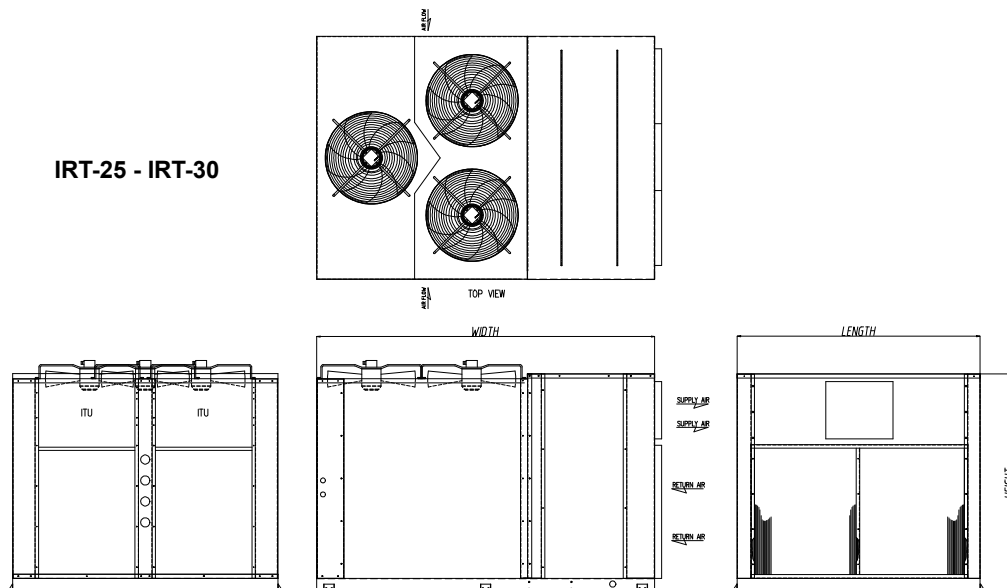
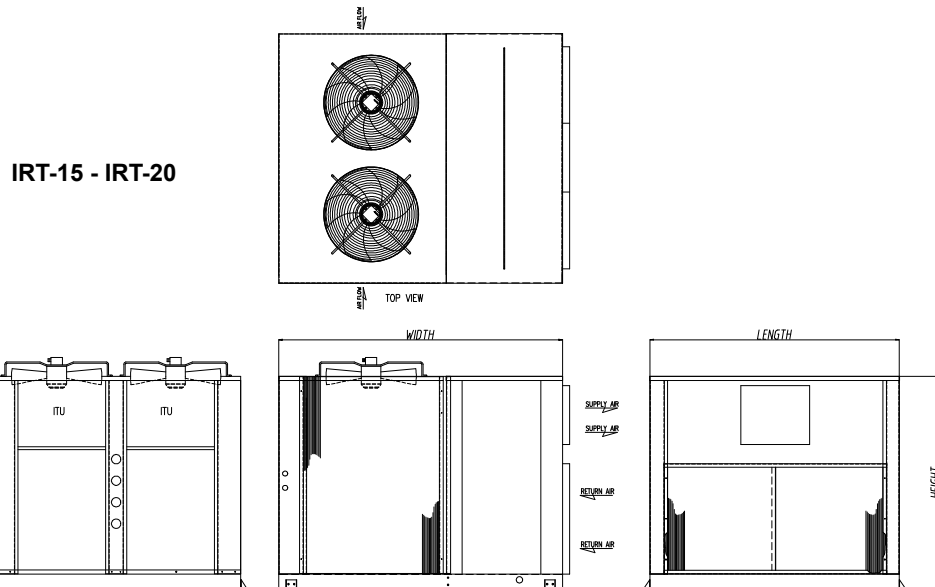
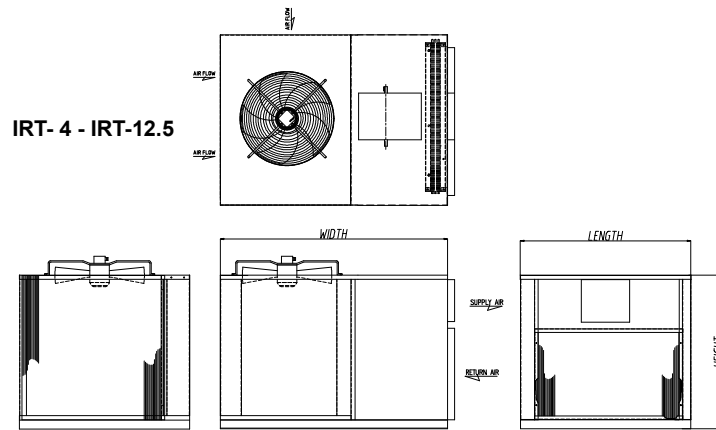
- The capacities are gross capacities, which include the effect of evaporator fan motor heat
- The nominal cooling capacity is according to JIS standard B8616, and based on the following conditions.

Evaporator air inlet temperature Condenser air inlet temperature

26,7 deg C DB (80 deg F DB) 35 C DB (95 deg F DB)

19,4 deg C WB (67 deg F WB)

Drawing & Dimension





OFFICES

Balai kota Gedung G
 Bank Of Indonesia
 Bank CIMB Niaga
 Cyber Kuningan
 GMF Cengkareng
 Indah Kiat
 Indonesia Power
 Indosat
 Kantor Walikota: Pusat, Timur, Barat
 Lion Air
 Menara BATAVIA
 Menara Global
 Menara Karya
 Menara Mandiri Surabaya
 Menara Multi
 Ministry Of Health
 Ministry Of Home Affairs
 Ministry Of Industry
 Ministry Of Justice & Human Rights
 Ministry Of Maritime & Fisheries Affairs
 Ministry Of Trade
 Parliament
 Pertamina
 Puspitek
 Sampurna Strategic Square
 Selatan & Utara
 Senayan Office Tower
 Thamrin Tower
 Trust Radiator Specialist
 Wisma Indocement
 Wisma Pondok Indah
 Wisma Slipi

SHOPPING CENTERS

Atrium Mulia
 Bintaro Life Style
 Boarding Lounge Soetta
 Carrefour
 Carrefour Cawang
 Carrefour Cempaka Putih
 Carrefour Imam Bonjol
 Carrefour Maguwo
 Carrefour Pabelan
 Ciputra Mall Citra Raya
 Ciputra World Jakarta
 Ciputra World Surabaya
 Eco Plaza
 Futami Food
 Giant Hypermarket
 Grage Mall Cirebon
 Grand City Mall
 Grand Metropolitan Mall
 ITC Surabaya
 Kalibata Mall
 King Shopping Center
 Kirana
 KKCC Krampung
 Malang Town Square
 Mall Bogor
 Mall Emporium
 Mall Kalibata
 Mall Karawaci
 Mall Mangga Dua
 Mall Margo City
 Mall Pondok Gede
 Pusat Grosir Cililitan

Mall Puri Indah
 Mall Taman Anggrek
 Mall Tasik
 Matahari Department Store
 Mega Mas
 Metropolitan Mall
 Mitra 10
 Plaza Senayan
 Pondok Indah Mall
 Senen Blok 3
 Ubertos Bandung

HOTELS

Borobudur
 Four Season
 Grand Hyatt
 Grand Kuningan
 Green Tebet
 Horison
 Ibis
 Jakarta
 Maharaja
 Maharani
 Majapahit
 Mandarin
 Mercure
 Mirah Bogor
 Mulia
 Mustika
 Nelayan
 Nikko Bali
 Novotel
 PHI Heritage
 Pondok Indah
 Quest Surabaya
 Sahid
 Sari Pan Pasific
 Sentral
 Sintesa Peninsula
 Sultan
 Western

HOSPITALS

RSUD Ambon
 RS Anak Bunda
 RS Awal Bross
 RS Budi Asih
 RS Cipto Mangunkusumo
 RS Fatmawati
 RS Islam Surabaya
 RS Jantung Harapan Kita
 RS Kanker Dharmais
 RS Mayapada
 RS Pasar Rebo
 RS PELNI
 RS Persada Malang
 RS Pertamina Pusat
 RS Pondok Indah
 RS Premier
 RS Sari Asih
 RS Siloam Gleaneagle
 RS Siloam Kb Jeruk
 RS Sulianti Saroso
 RSUD Kebumen
 RSUD Purwokerto

INDUSTRIES

ABC
 Aqua
 Bekaert Indonesia
 Bintang Toedjoe
 Calbee Wings Food
 Capsugel
 Charoen Phokpan
 Denso
 Djarum
 Enseval
 Essai
 Fanbo
 Holcim Cement
 Nine Cocoa
 Orang Tua Group
 Pabrik Kara Batam
 Prestine
 Pupuk Kaltim
 Sanbe Farma
 Semen Gresik
 Sinda Budi Sentosa
 STTC
 Tirtamas Perkasa
 Unilever
 Indorama
 Mercy Farma

OTHERS

AIRPORT TERMINAL
 Soekarno-Hatta Terminal I, II, III
 Juanda Surabaya
 Ngurah Rai Denpasar
 Iskandar Muda Aceh

MOBILE AIR CONDITIONING
 Kereta Api Indonesia
 Pelangi Bravo - CONOCO OIL

OFFSHORE
 RIG Platform (Pertamina)

POWER PLANT
 PLTU Paiton
 PLTU Hyundai

RESTAURANTS
 McDonald
 Pizza Hut Indonesia
 Sand Executive Rest
 Starbuck

TV BROADCAST
 TVRI
 RCTI
 SCTV
 TV NET
 TV ONE
 METRO TV
 INDO SIAR
 TRANS TV



PT ITU AIRCONCO
 Air Conditioner Manufacturer
 Quality-Reliability-Speed

Head Office & Factory

Jl. Raya Serang KM 12, Sukadamai, Cikupa, Tangerang 15710
 P : +62 21 5960673-75 +62 21 5962210
 F : +62 21 5963250
 E : factory@ituircon.co.id

Marketing Division - Jakarta
 Gedung Jaya Teknik Indonesia 2nd Floor
 Jl. Johar No. 10 Jakarta Pusat 10340
 Tel : + 62 21 3156568-69

Parts & Services Division
 Jl. Raya Serang Km 12, Sukadamai,
 Cikupa, Tangerang 15710
 Tel : +62 21 5960673-75

Marketing Division - Surabaya
 Ruko Central Park Gn Anyar Regency AA-9,
 Gn Anyar, Tambak, Surabaya 60294
 Tel : +62 31 99004555

Marketing Division - Semarang
 Komp. Ruko Pemuda Blok A-4,
 Jl. Kolonel Sugiono, Semarang 50139
 Tel : +62 24 86403634

Marketing Division - Bandung
 Jalan Raden Patah No. 28,
 Bandung 40132
 Tel : +62 22 2511895

Help Desk (24 hours)
 +62 21 5960704